

# Drawings for a Proposed Standard Top Bar

and for a

## Top Bar Hive That Utilizes It

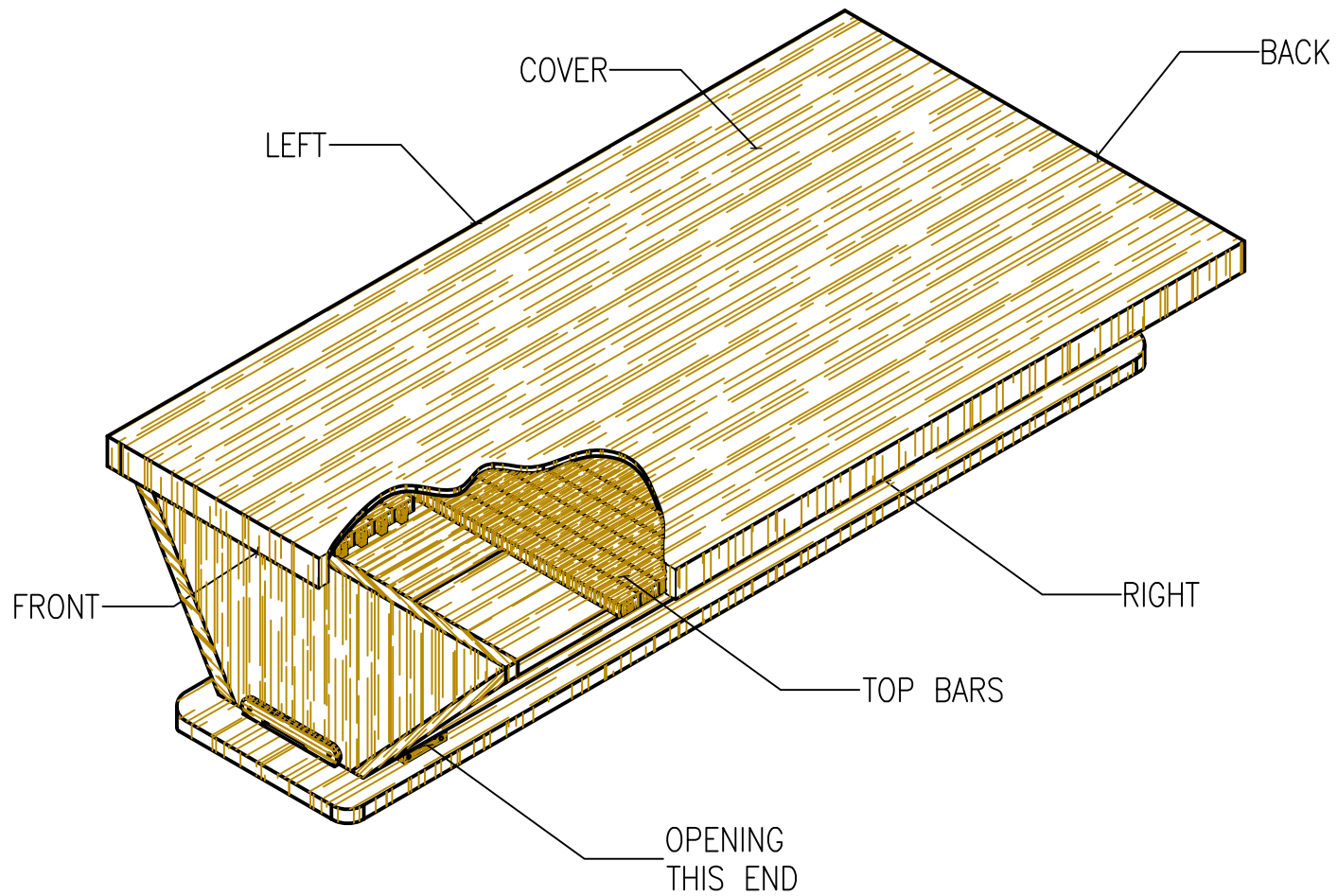
Copyright to these drawings is held by TJ Carr and John Bradford, who grant permission to fellow beekeepers to freely duplicate and distribute the drawings in both electronic and printed form, provided that:

1. The copyright notice shall be retained and included in all distributions.
2. Electronic copies of the drawings shall not be altered in any manner.
3. Printed copies of the drawings may be individually altered only by handwritten pencil or pen and ink notations.

Suggestions for corrections or design improvements may be submitted via email to:

[tj38carr@gmail.com](mailto:tj38carr@gmail.com) or [johnsbradford@gmail.com](mailto:johnsbradford@gmail.com).

<b>TOP BAR HIVE</b>		
© 2012 T.J. Carr & John Bradford		
DRN: mlr/vpl D: 10-05-12	SCALE: NONE	SHEET 1 OF 17



## TOP BAR HIVE

MAT'L : VARIOUS

ISO VIEW

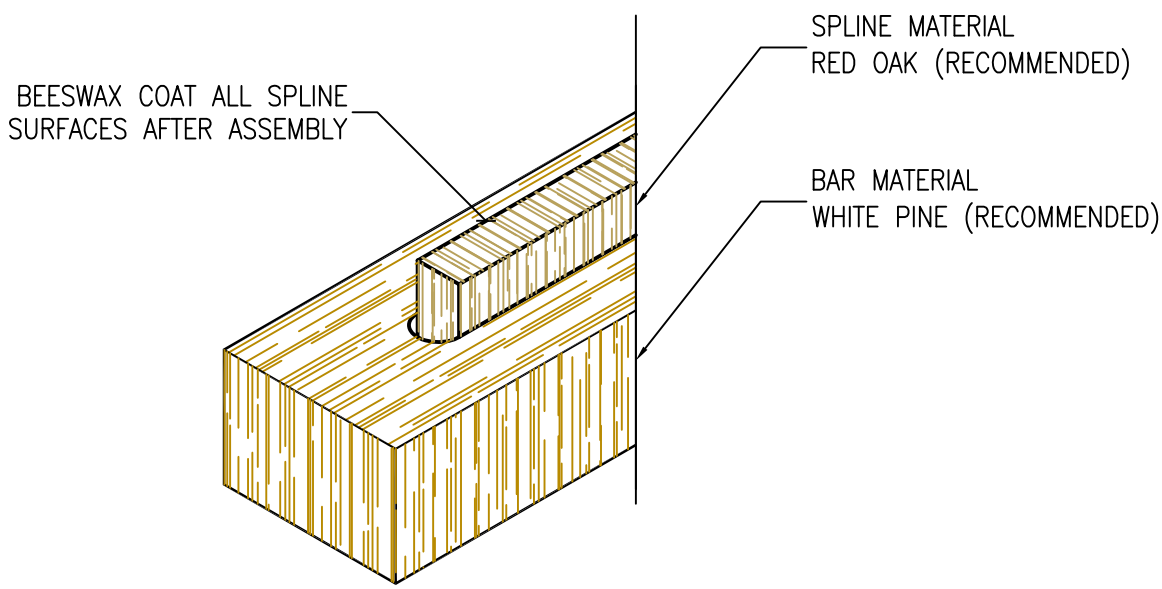
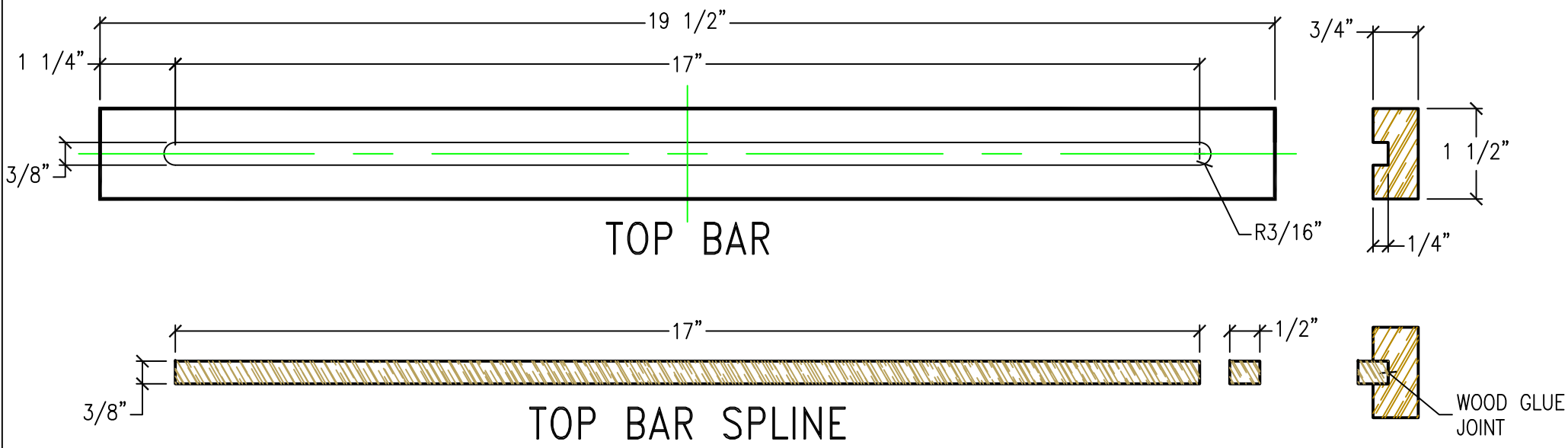
© 2012

T.J. Carr & John Bradford

DRN: mlr/vpl D: 10-05-12

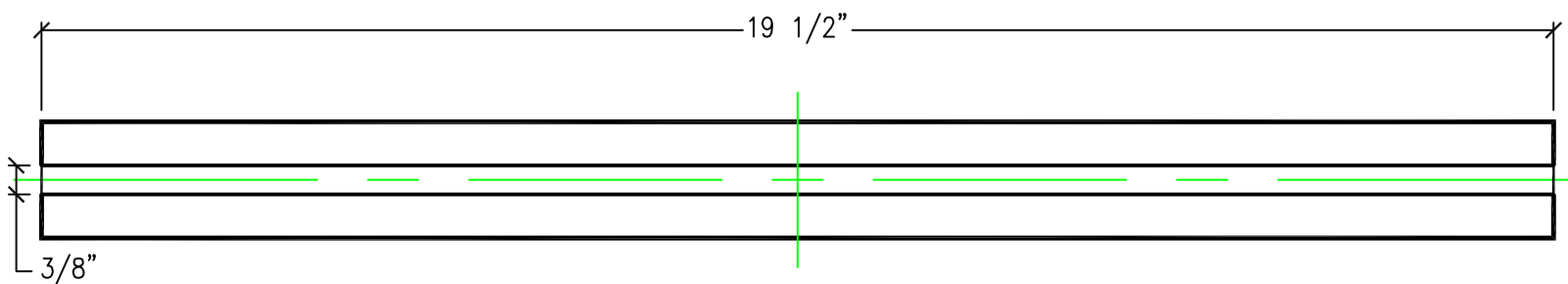
SCALE: NONE

SHEET 2 OF 17

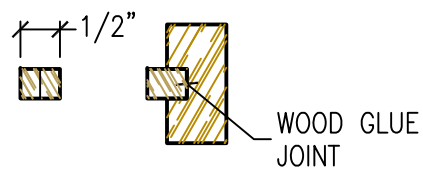
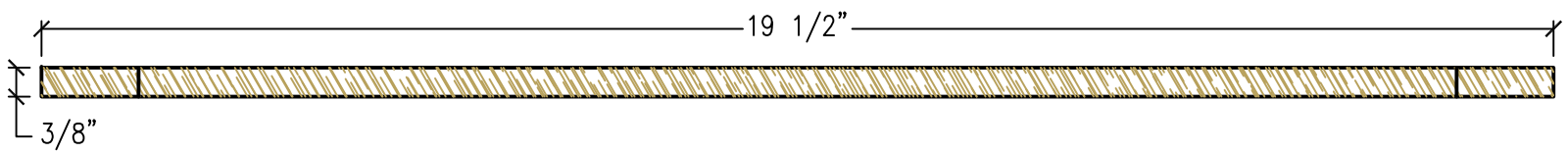
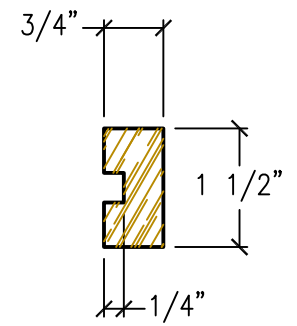


NOTE: 29 TOP BARS REQUIRED PER HIVE. SUGGESTED 11 SPARES PER HIVE FOR FUTURE HARVEST AND RESOURCE SHARING

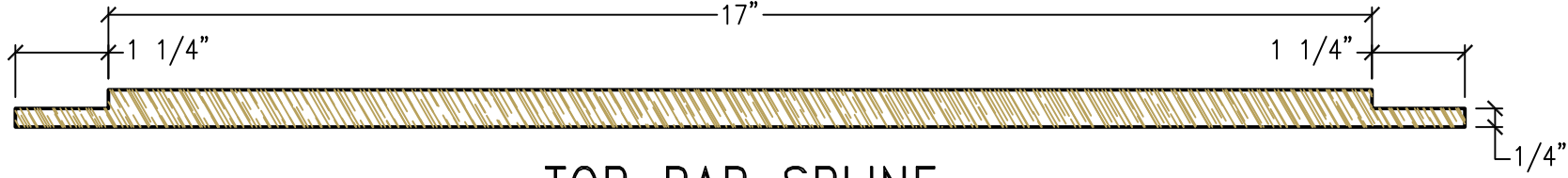
TOP BAR HIVE		
	TOP BAR ASSY	
© 2012 T.J. Carr & John Bradford		
DRN: mlr/vpl D: 10-05-12	SCALE: NONE	SHEET 3 OF 17



TOP BAR



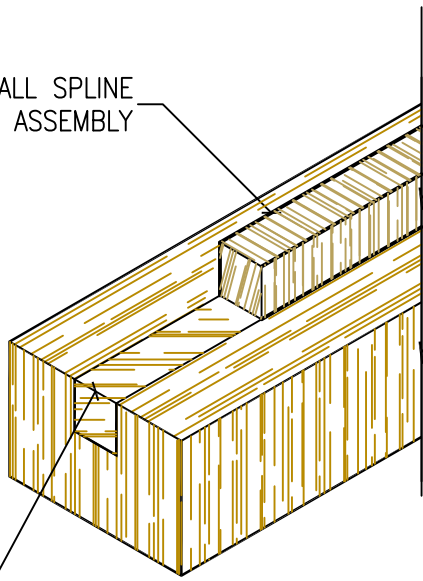
TOP BAR SPLINE



BEESWAX COAT ALL SPLINE SURFACES AFTER ASSEMBLY

SPLINE MATERIAL  
RED OAK (RECOMMENDED)

BAR MATERIAL  
WHITE PINE (RECOMMENDED)



SPLINE MUST BE FLUSH WITH TB

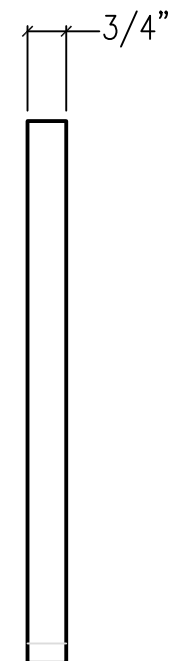
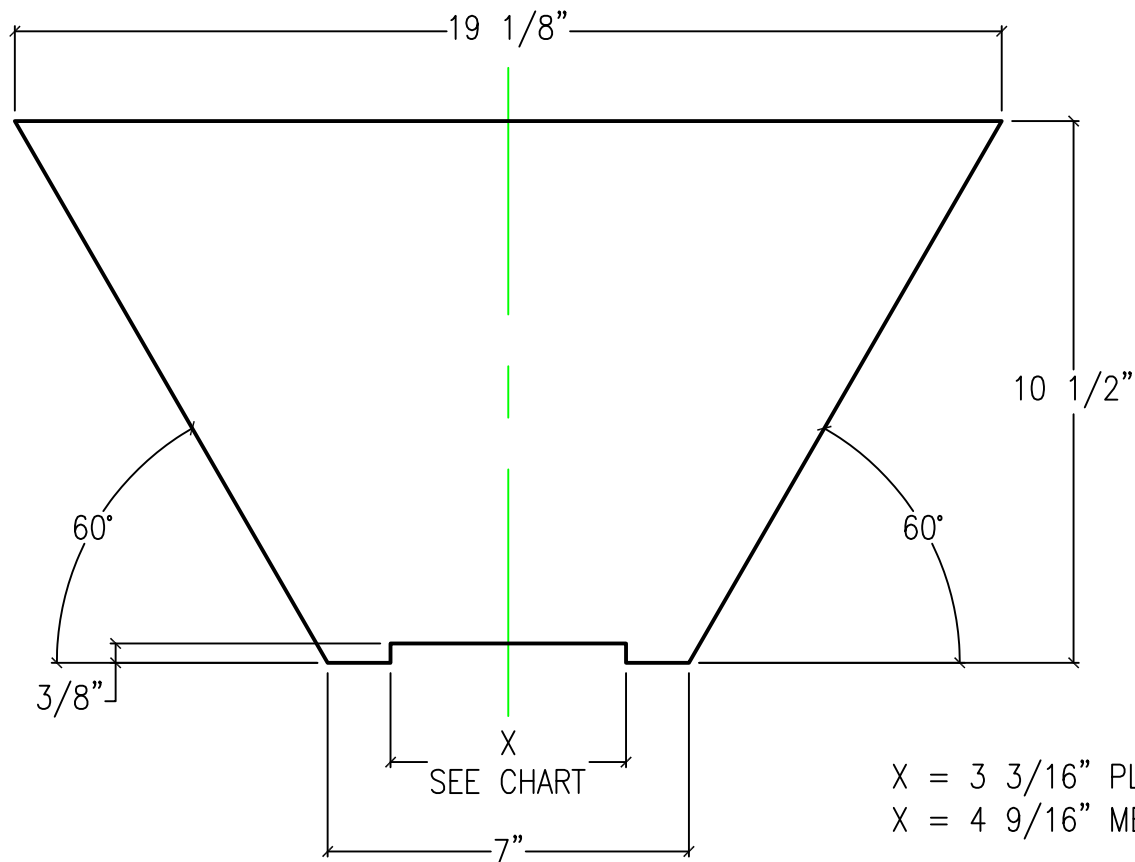
**TOP BAR HIVE**

**TOP BAR ASSY**

© 2012  
T.J. Carr & John Bradford

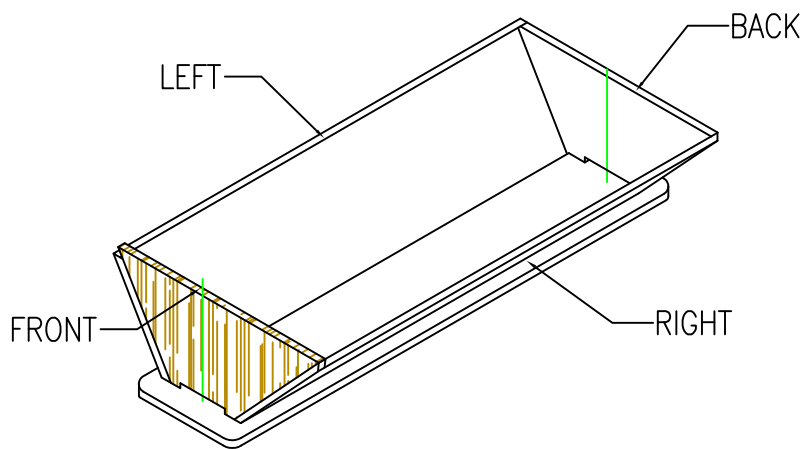
DRN: mlr/vpl D: 10-05-12

SCALE: NONE SHEET 4 OF 17



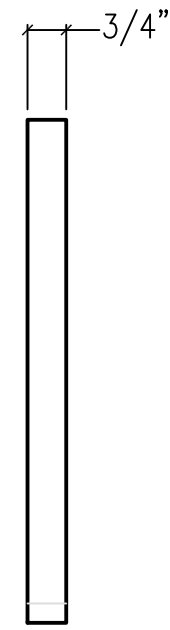
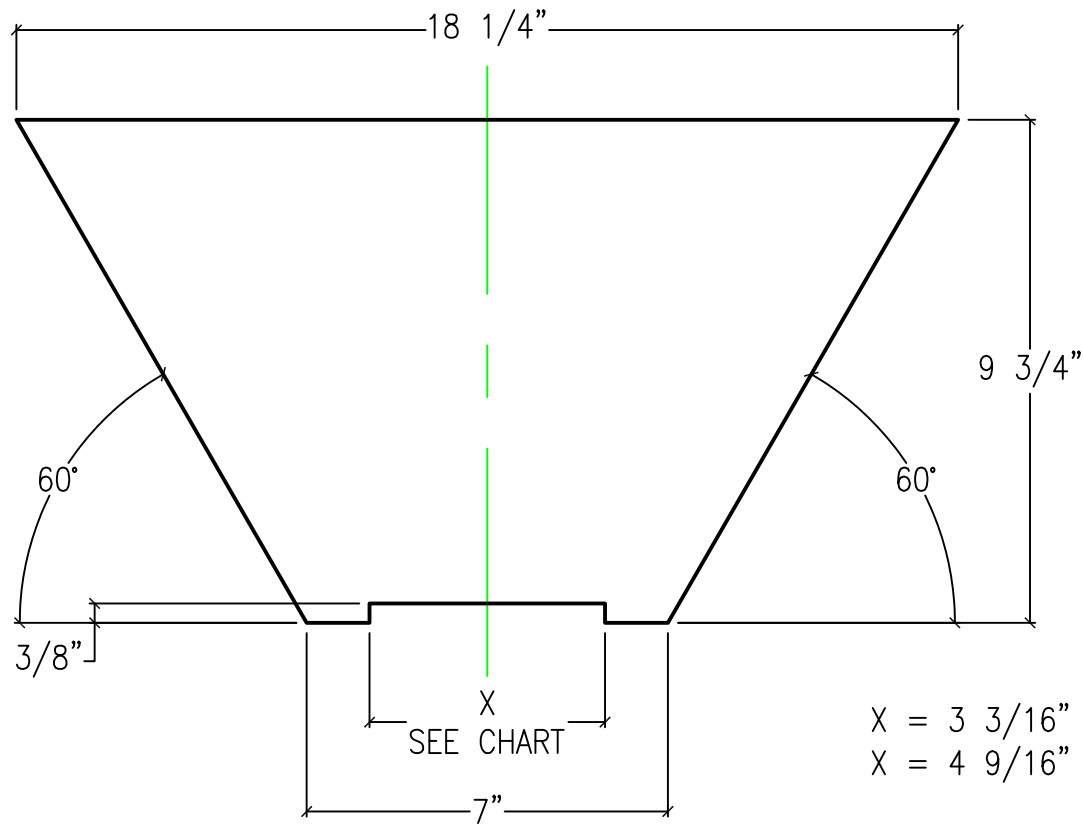
X = 3 3/16" PLASTIC DADANT ENTRANCE FEEDER  
 X = 4 9/16" METAL/WOOD DADANT ENTRANCE FEEDER

NOTE: THE TOP SURFACE OF THE FRONT BOARD LIES 3/4" ABOVE THE TOPS OF THE SIDE WALLS AND LIES FLUSH WITH THE TOP SURFACES OF THE TOP BARS. THE TOP BARS ARE ALL PUSHED FORWARD TO REST AGAINST AND PARALLEL TO THE FRONT BOARD.



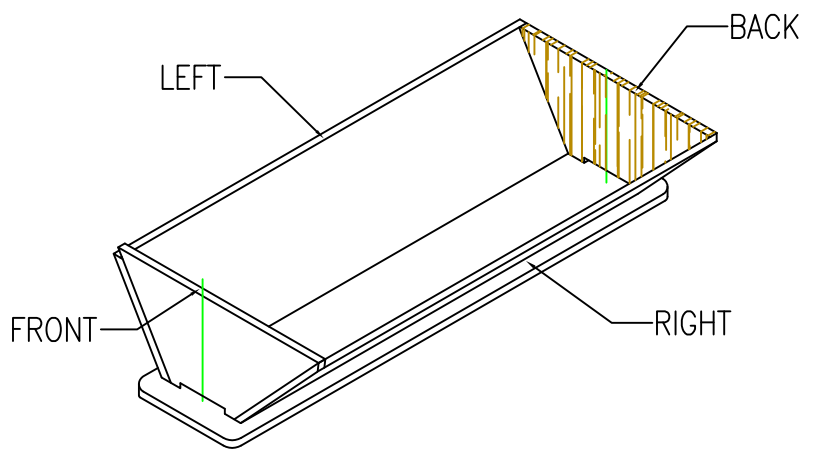
## TOP BAR HIVE

MAT'L : WHITE PINE		FRONT BOARD	
© 2012 T.J. Carr & John Bradford			
DRN: mlr/vpl D: 10-05-12	SCALE: NONE	SHEET 5 OF 17	



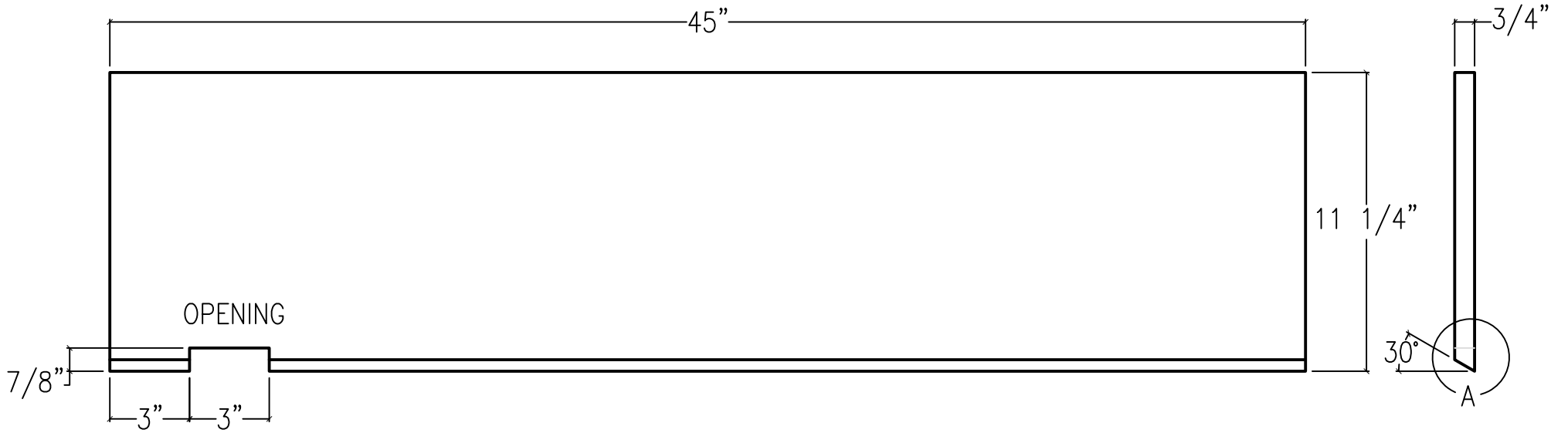
X = 3 3/16" PLASTIC DADANT ENTRANCE FEEDER  
 X = 4 9/16" METAL/WOOD DADANT ENTRANCE FEEDER

NOTE: THE TOP SURFACE OF THE BACK BOARD LIES FLUSH WITH THE TOPS OF THE SIDE WALLS AND FLUSH WITH THE BOTTOM SURFACES OF THE TOP BARS. IF THE COMBINED WIDTH OF 29 TOP BARS SHOULD BE SLIGHTLY MORE THAN 43-1/2", THE LAST TOP BAR CAN RIDE SLIGHTLY OVER THE TOP OF THE BACK BOARD.

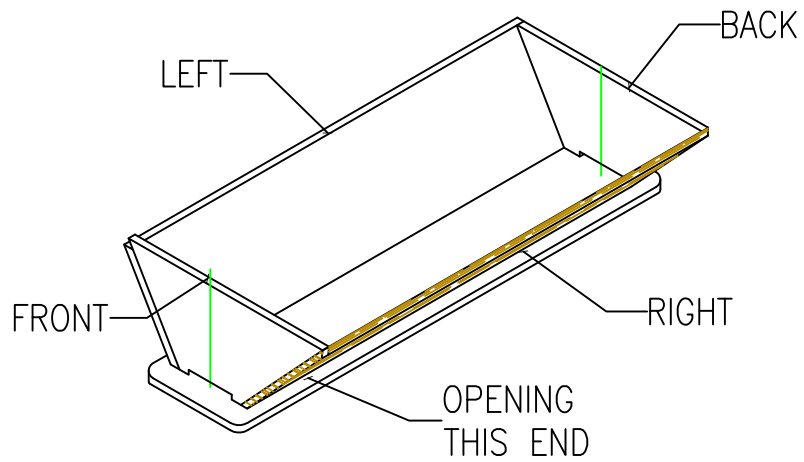
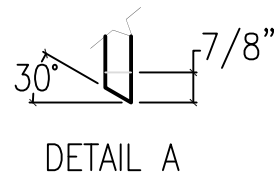


### TOP BAR HIVE

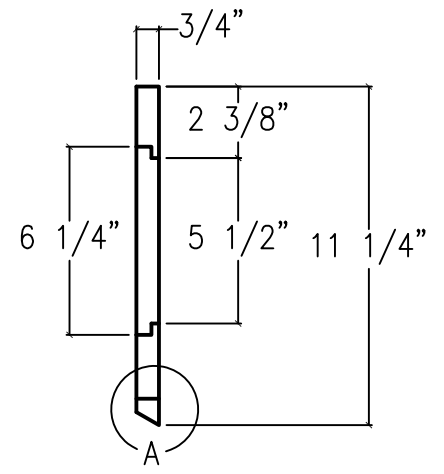
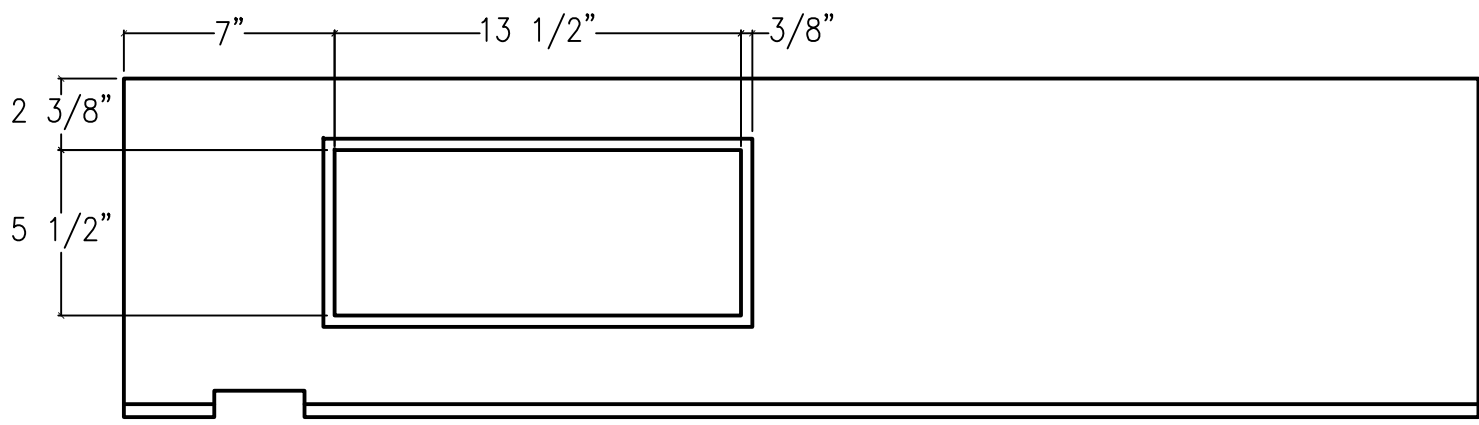
MAT'L : WHITE PINE		BACK BOARD	
© 2012 T.J. Carr & John Bradford			
DRN: mlr/vpl D: 10-05-12	SCALE: NONE	SHEET 6 OF 17	



NOTE: RIGHT SIDE AS SEEN FROM THE OUTSIDE OF HIVE

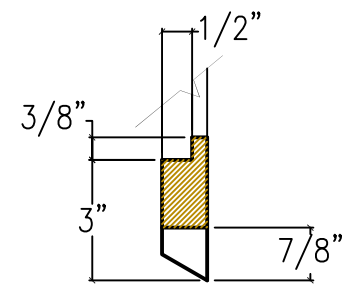


<b>TOP BAR HIVE</b>		
MAT'L : WHITE PINE		<b>RIGHT SIDE</b>
© 2012 T.J. Carr & John Bradford		
DRN: mlr/vpl D: 10-05-12	SCALE: NONE	SHEET 7 OF 17



NOTES:

1. GLASS IS 6" x 14"
2. SUGGESTED TOOLS TO CUT RECESS FOR WINDOW GLASS ARE 3/8" RABBETING ROUTER BIT AND WOOD CHISEL AT CORNERS.

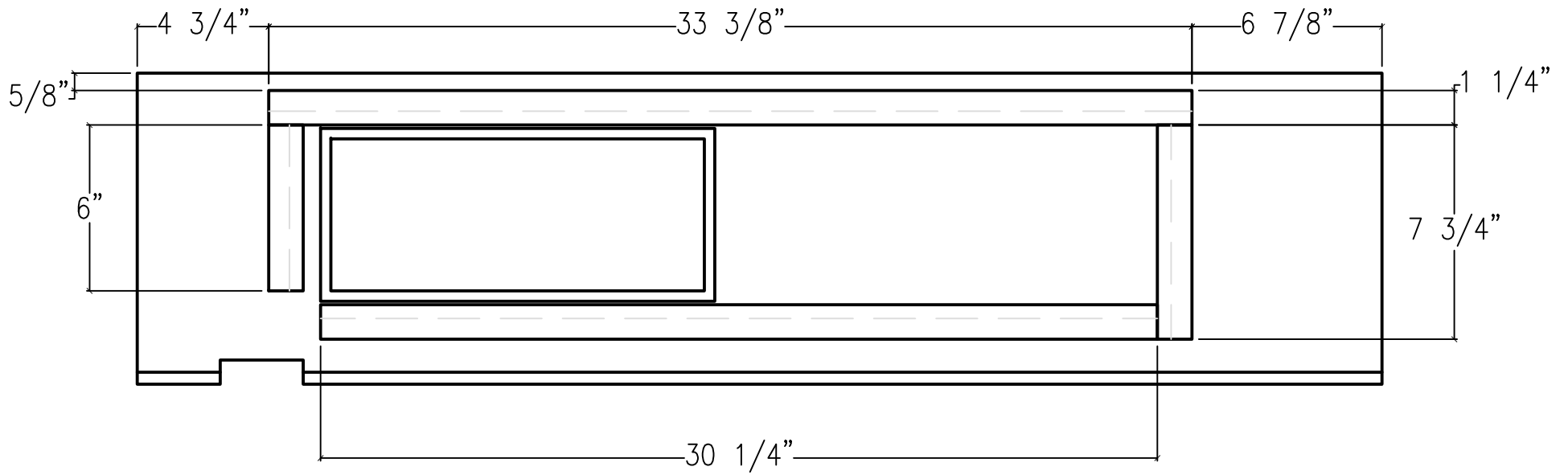


DETAIL A

## TOP BAR HIVE

MAT'L : WHITE PINE		RIGHT SIDE W/ WINDOW	
© 2012 T.J. Carr & John Bradford			
DRN: mlr/vpl D: 10-05-12	SCALE: NONE	SHEET 8 OF 17	





RIGHT SIDE WITH WINDOW

## TOP BAR HIVE

MAT'L : WHITE PINE

SHUTTER TRACK ARRANGEMENT  
FOR WINDOW

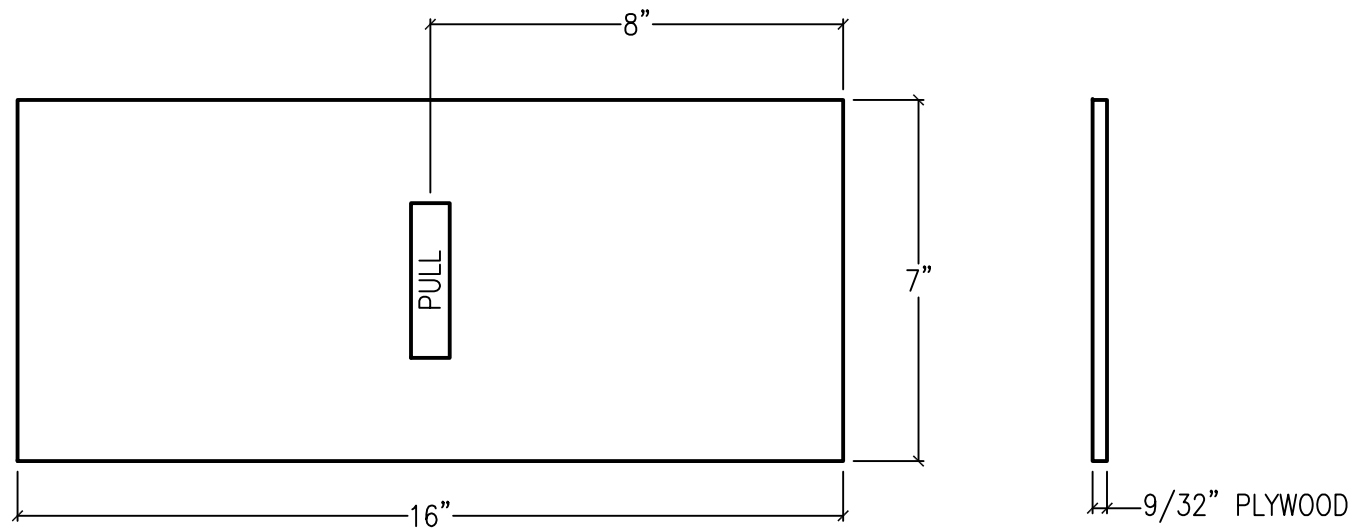
© 2012

T.J. Carr & John Bradford

DRN: mlr/vpl D: 10-05-12

SCALE: NONE

SHEET 9 OF 17



NOTE: AT FINAL ASSEMBLY TRIM FOR GOOD SLIP FIT

## TOP BAR HIVE

MAT'L : WHITE PINE

WINDOW SHUTTER

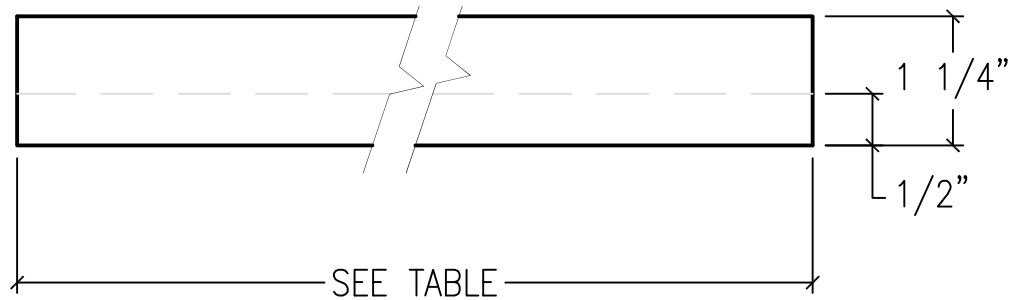
© 2012

T.J. Carr & John Bradford

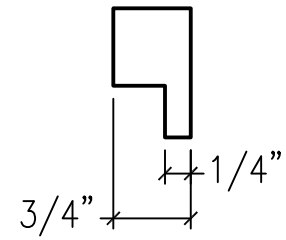
DRN: mlr/vpl D: 10-05-12

SCALE: NONE

SHEET 10 OF 17



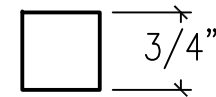
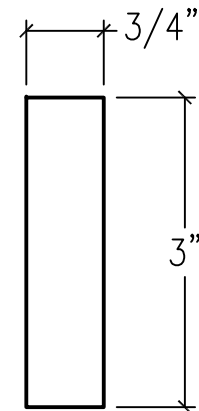
SHUTTER TRACK



SHUTTER TRACK

TABLE OF LENGTH

TOP	33 3/8"
BOTTOM	30 1/4"
FRONT END	6 1/4"
BACK END	7 3/4"
PULL	3"



PULL

## TOP BAR HIVE

MAT'L : WHITE PINE

SHUTTER TRACK AND PULL

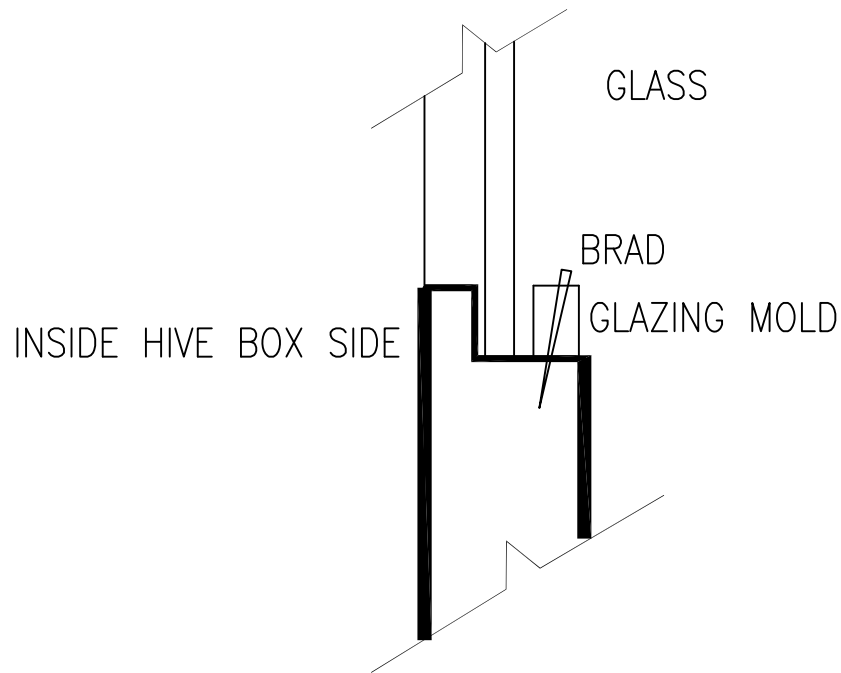
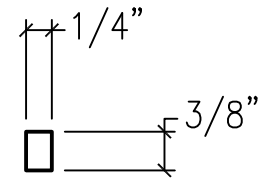
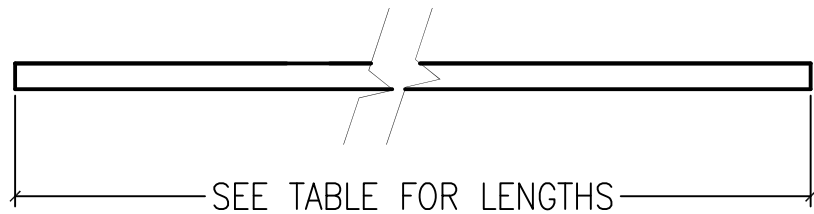
© 2012

T.J. Carr & John Bradford

DRN: mlr/vpl D: 10-05-12

SCALE: NONE

SHEET 11 OF 17



TABLE

NEED	LENGTH
2	14 1/8"
2	5 1/2"

GLASS SIZE TO BE 6" x 14"

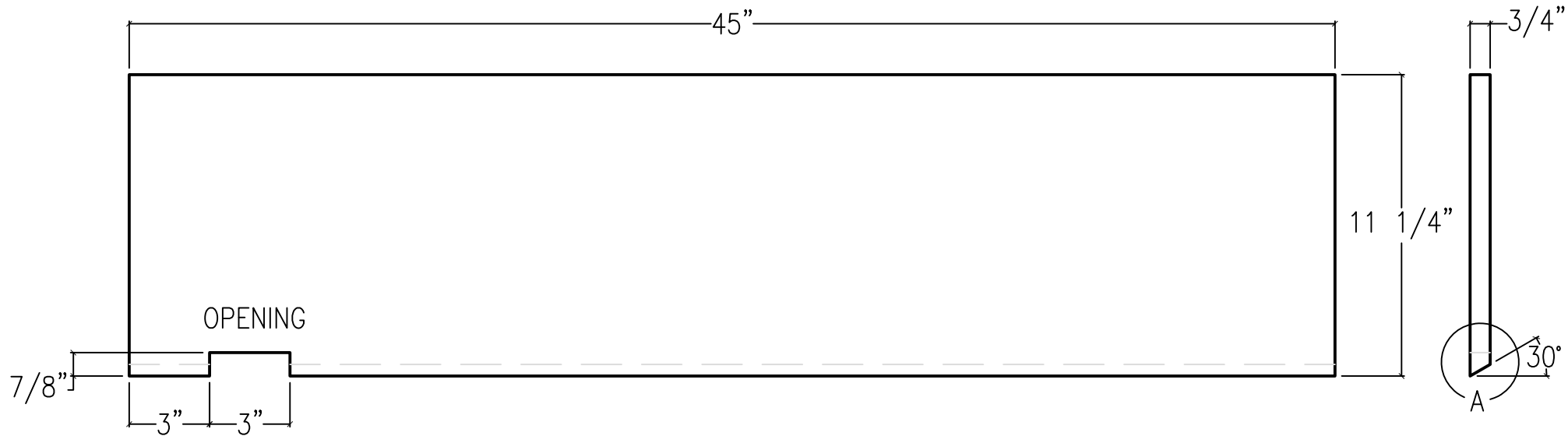
## TOP BAR HIVE

MAT'L : WHITE PINE

GLAZING MOLDS & DETAIL

© 2012  
T.J. Carr & John Bradford

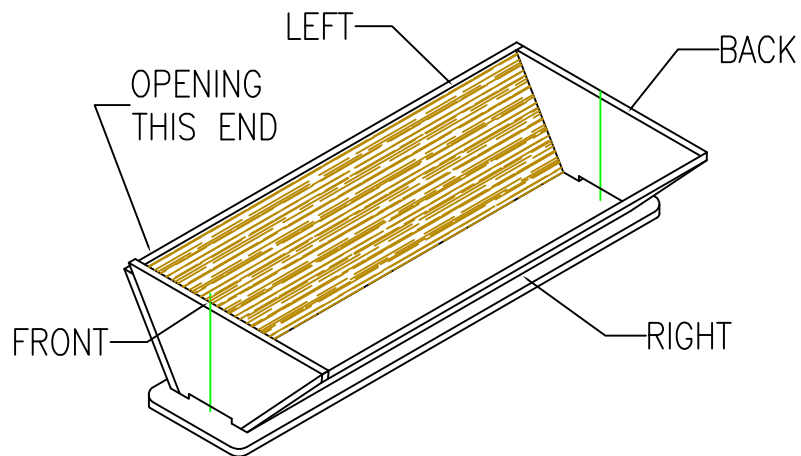
DRN: mlr/vpl D: 10-05-12 SCALE: NONE SHEET 12 OF 17



NOTE: LEFT SIDE WALL AS SEEN FROM INSIDE OF HIVE



DETAIL A



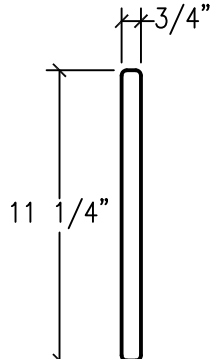
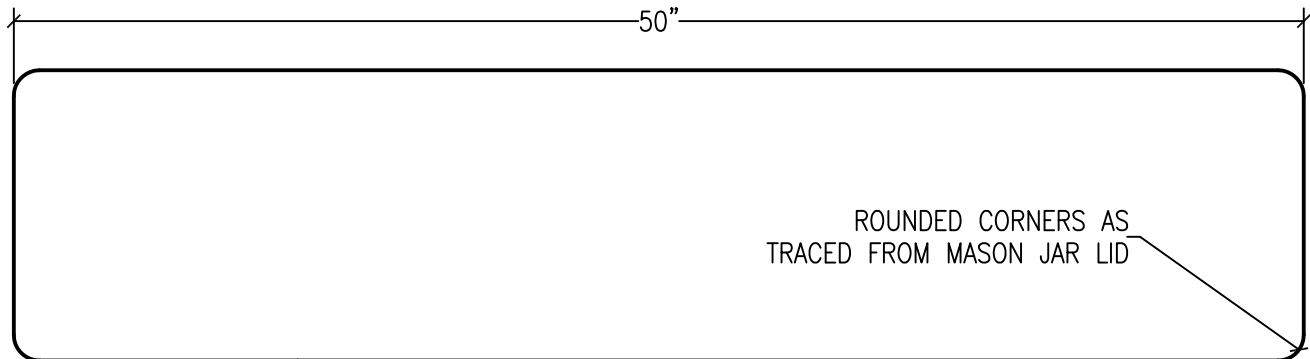
## TOP BAR HIVE

MAT'L : WHITE PINE

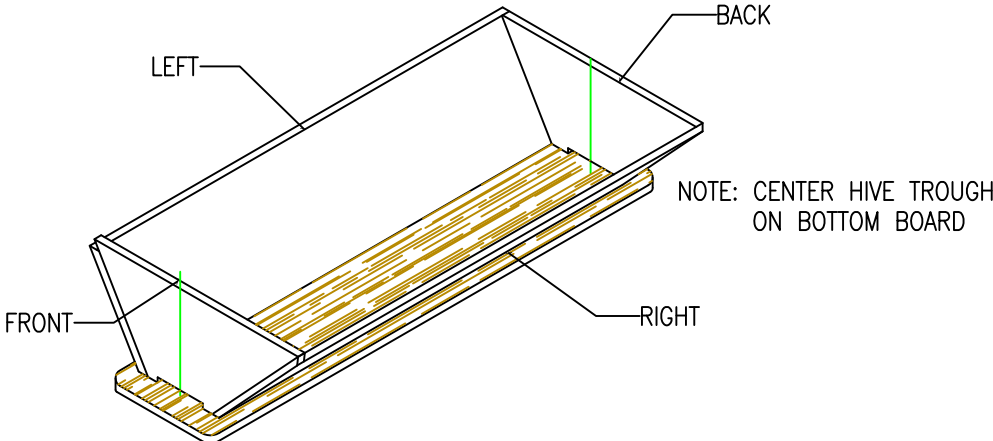
LEFT SIDE

© 2012  
T.J. Carr & John Bradford

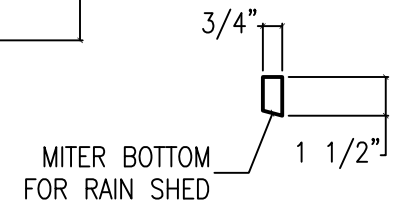
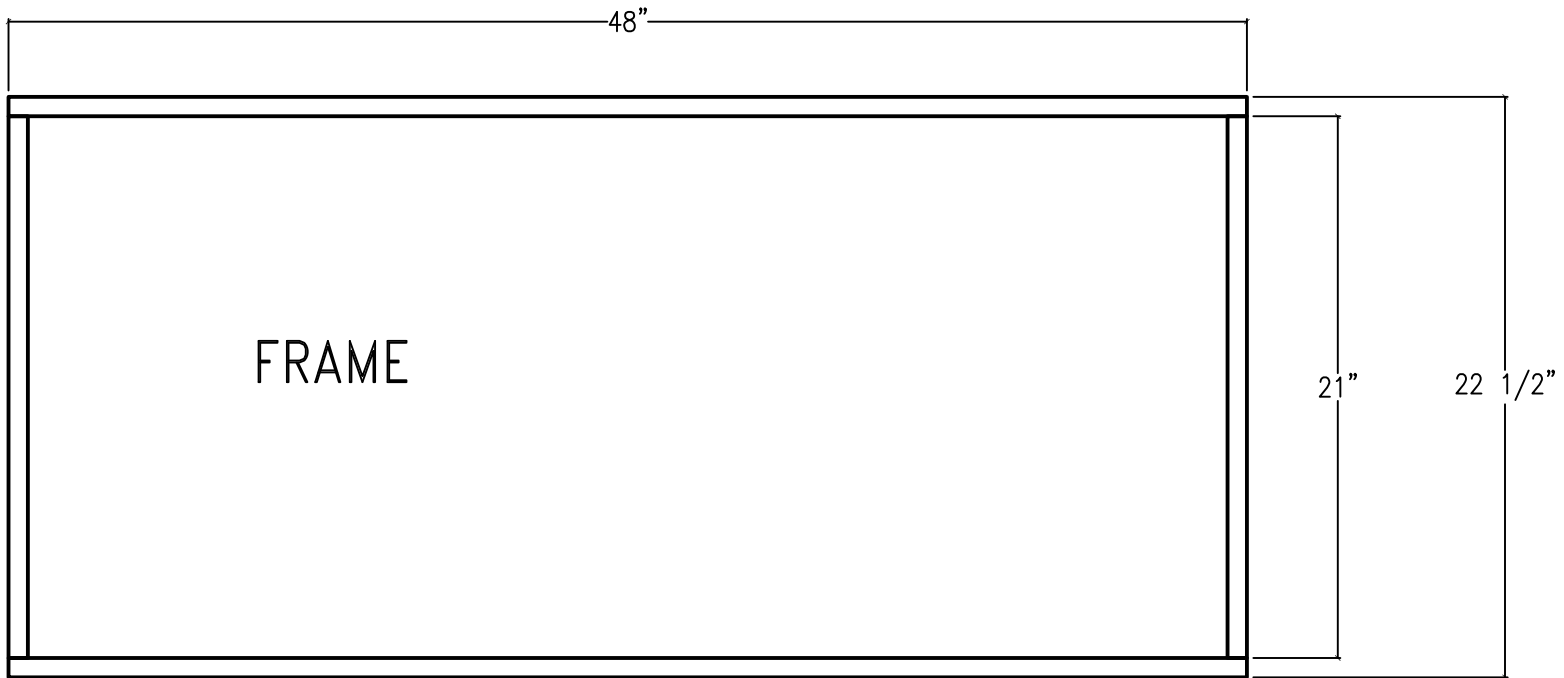
DRN: mlr/vpl D: 10-05-12 SCALE: NONE SHEET 13 OF 17



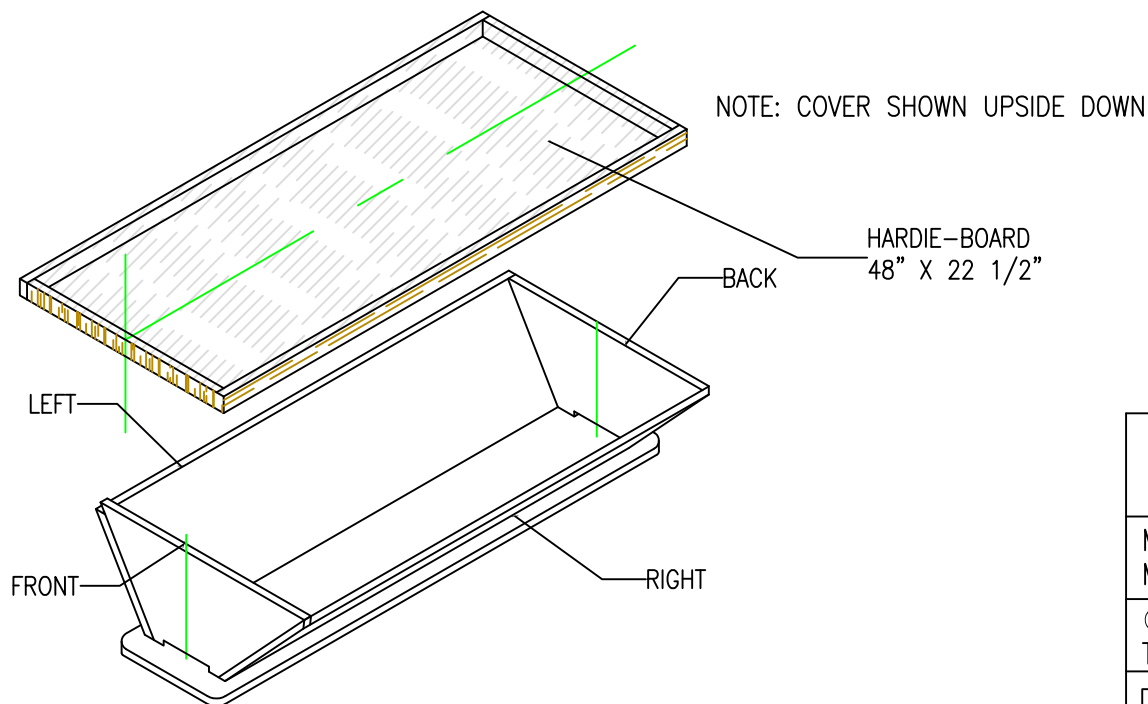
NOTE: ROUND CORNERS OF BOTTOM BOARD, IF DESIRED



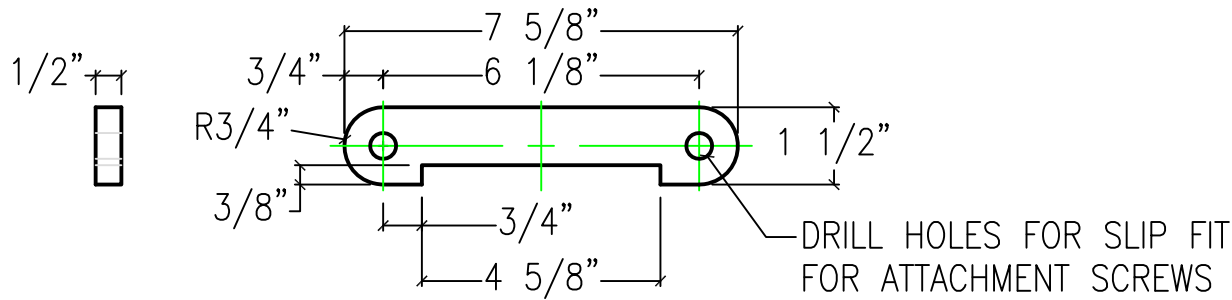
<b>TOP BAR HIVE</b>		
MAT'L : WHITE PINE		BOTTOM BOARD
© 2012 T.J. Carr & John Bradford		
DRN: mlr/vpl D: 10-05-12	SCALE: NONE	SHEET 14 OF 17



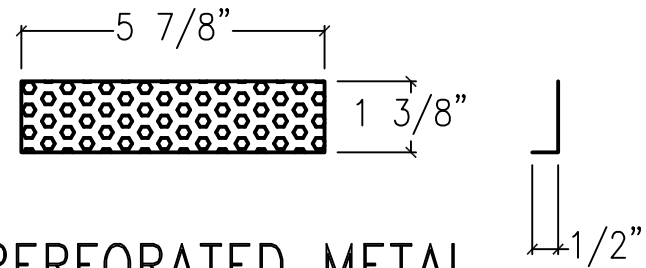
### RAIL DETAIL



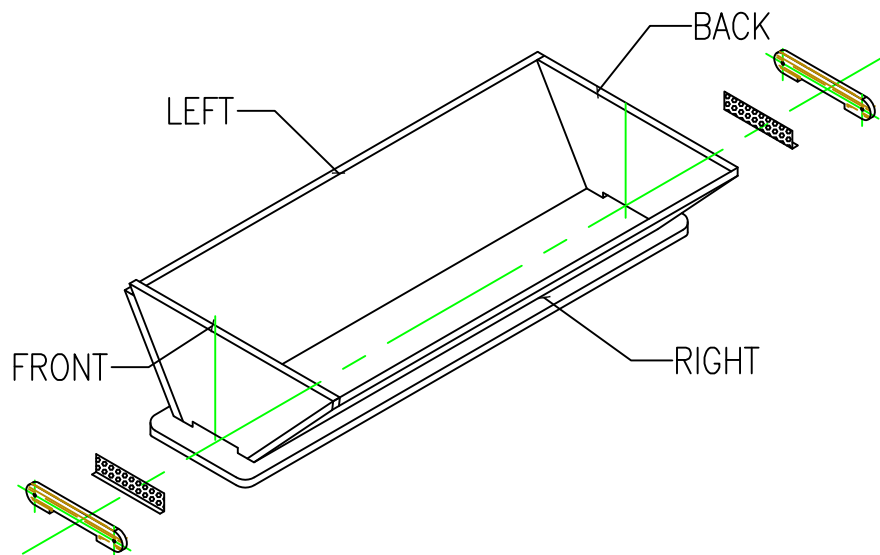
TOP BAR HIVE		
MAT'L : WHITE PINE 1X2	COVER	
MAT'L : HARDIE-BOARD		
© 2012		
T.J. Carr & John Bradford		
DRN: mlr/vpl D: 10-05-12	SCALE: NONE	SHEET 15 OF 17



## LANDING BOARD CLOSURE



## PERFORATED METAL

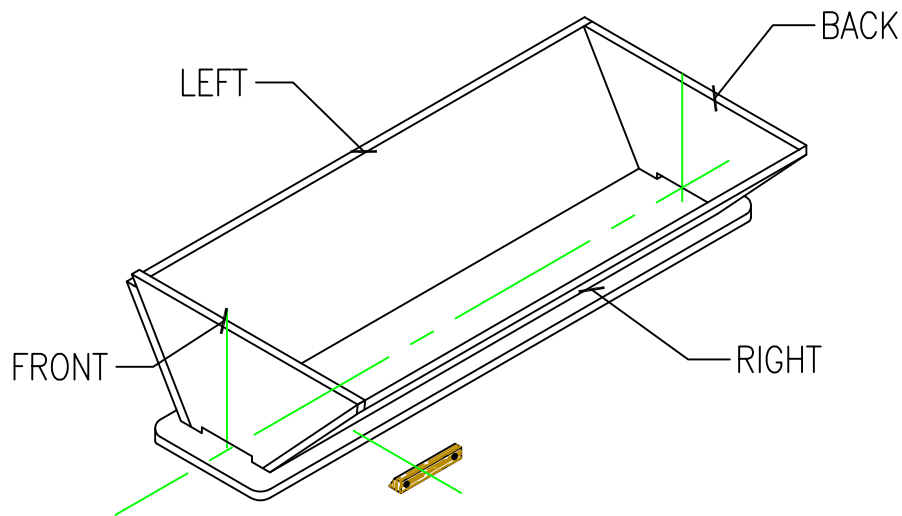
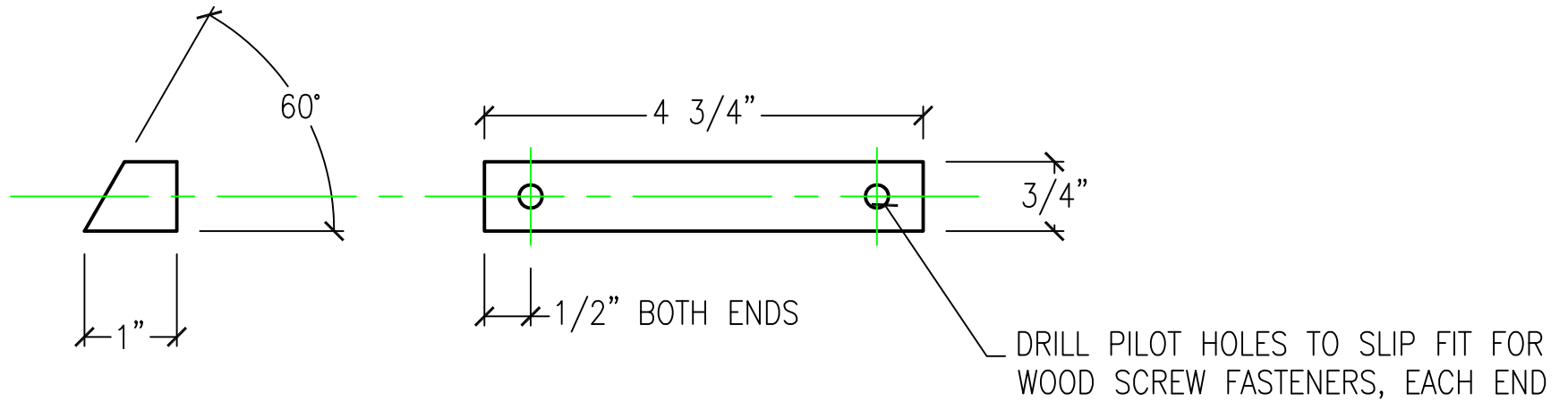


NOTE: TWO LBC NEEDED PER HIVE

## TOP BAR HIVE

DOOR: WHITE PINE	LANDING BOARD CLOSER (LBC)	
SCREEN: PERFORATED METAL		
© 2012 T.J. Carr & John Bradford		
DRN: mlr/vpl D: 10-05-12	SCALE: NONE	SHEET 16 OF 17





NOTE: TWO SLBC ARE REQUIRED PER HIVE

<b>TOP BAR HIVE</b>		
MAT'L : WHITE PINE	<b>SIDE LANDING BOARD CLOSURE (SLBC)</b>	
© 2012 T.J. Carr & John Bradford		
DRN: mlr/vpl D: 10-05-12	SCALE: NONE	SHEET 17 OF 17