

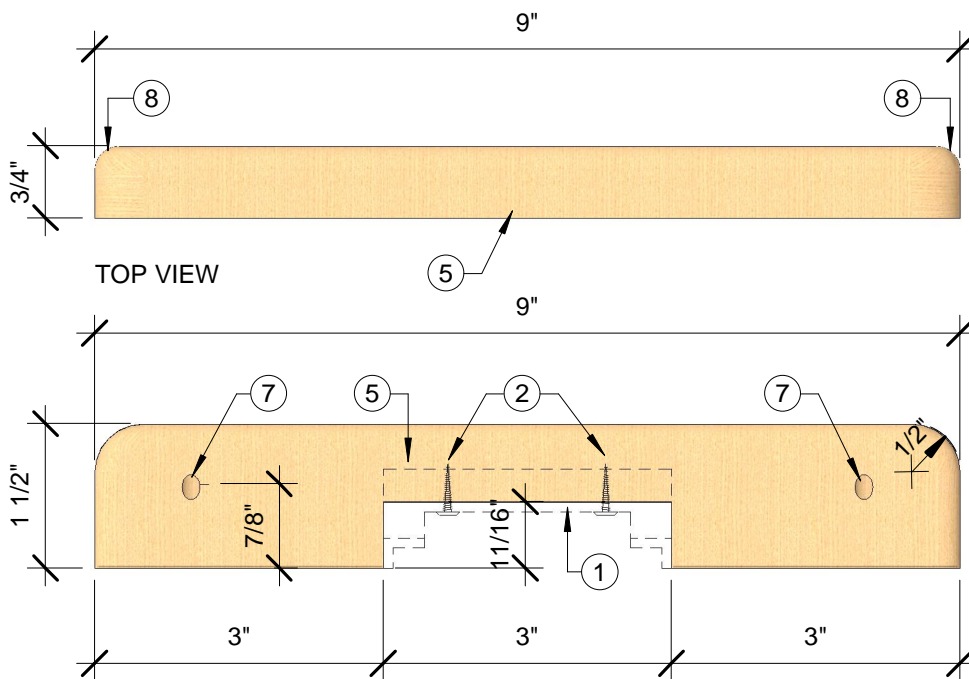
KEYED NOTES:

1. Zoenhou brand plastic bee feeder (Amazon.com) with small mouth canning jar metal lid.
2. #8 x 1/2" standard thread truss head wood screw to attach to wood base.
3. Drill 1/16" \varnothing hole.
4. Drill 3/8" \varnothing hole.

GENERAL NOTE:

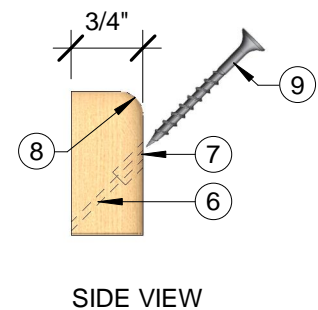
- A. TO AVOID SHATTERING OF PLASTIC, USE BRAD-POINT DRILL BITS IN LIEU OF TWIST TYPE DRILL BITS.

○ FEEDER BASE
6" = 1'-0"



KEYED NOTES:

5. Nominal 1 x 2 (3/4 x 1 1/2) oak bracket, painted.
6. Drill 1/16" \varnothing pilot hole at 45° angle.
7. Drill 3/16" \varnothing countersunk hole x 1/4" deep.
8. 1/4" bullnose.
9. #6 x 1 stainless steel wood screw for attachment to base / front of hive.



○ BRACKET
6" = 1'-0"

ROBBER BEE / YELLOW JACKET TRAP

T.J. CARR

BEE FEEDER

Date	2-17-2022
Drawn by	J. SANCHEZ
Checked by	T.J. CARR

BF-1

Scale 6" = 1'-0"